



Model
4100
Adventure Marine Mfg Inc.

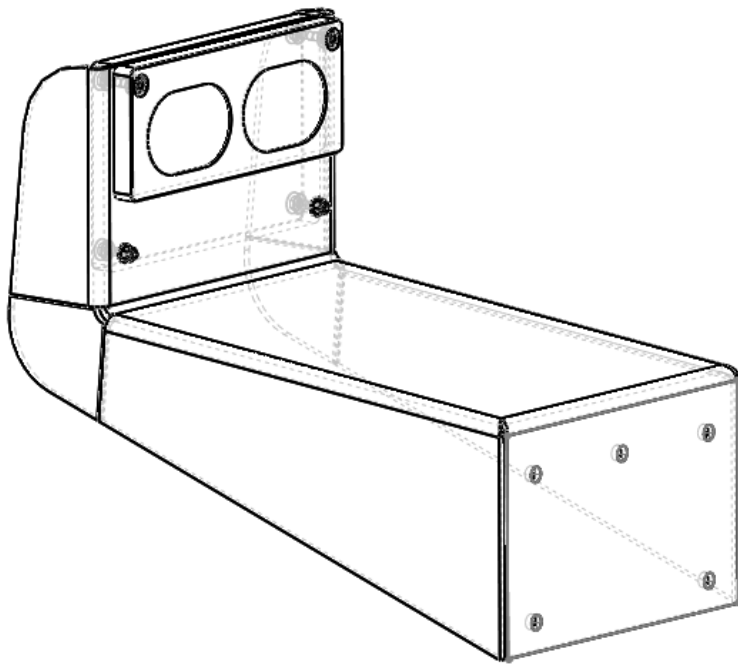
Read the *Product Safety Guide* first, then read the product installation and owners manual.

More information on this product:

Adventuremarine.ca Tel: 604-945 2628 or 1-888-669-4300

Adventure Marine High Thrust Motor Bracket

Installation Manual



NOTE:

Your bracket is only as strong as your transom! You may need to reinforce your transom with a reinforcement plate on inside. Follow your boat manufacturer's recommended ratings for mounting outboard engines to your transom.

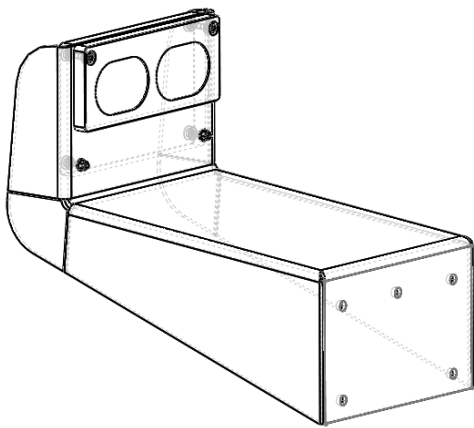
IMPORTANT:

Model 4100 maximum H.P. rating is 15 H.P. and a maximum weight of 140 Lbs (65kg). Always attach a chain or cable from the motor to the bracket. Make certain the motor is installed to manufacturer's specifications along with the proper operating height in the water.

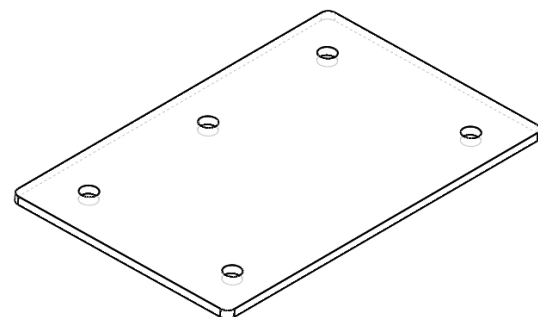
SAFETY:

- Never operate a boat while under the influence of drugs or alcohol.
- Always wear a life jacket or personal flotation device while boating.
- Contact with a rotating propeller can cause life threatening injury or death.
- Read this manual before installing your Model 10,000 Swim Step Bracket.

What's included in your package



(x1) High Thrust Bracket

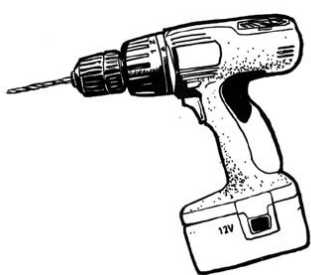


(x1) Optional 4100 REP

Attention! Additional tools required.

WARNING

Never use power tools in or near water.
Electrocution can cause injury or death.



Cordless Drill



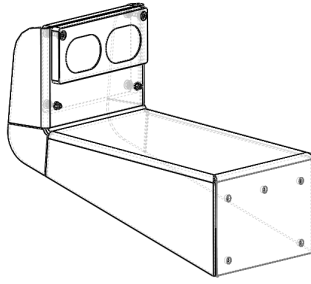
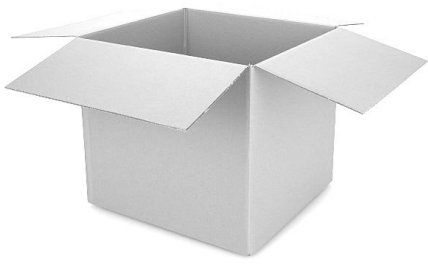
9/16" (14mm) Drill Bit



5/8" Wrench and Socket
Wrench

1

Remove the Model 4100 from its box and unpackage all the contents



Please recycle as much of the packaging as possible

2

General Information

The bracket is manufactured from 1/4" high grade marine aluminum alloy, welded inside and out for high strength. The bracket is protected with a marine primer and white powder coating. Polyurethane mounting faces provide strong UV resistance and a robust material for mounting the motor. This bracket will provide years of trouble free service in all marine environments.

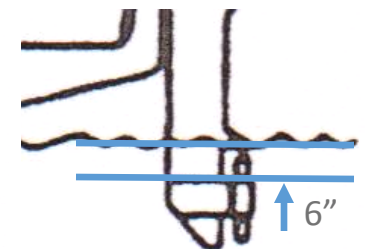
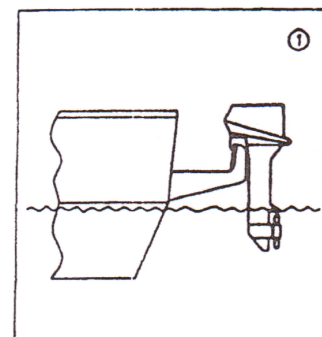
RETURNS

If you find the bracket will not work, Adventure Marine will refund the full purchase price minus shipping charges within 30 days of receiving the product. See Adventuremarine.ca for more details.

3

Locating the Bracket

Install the bracket on the transom so that the anti-cavitation plate of the motor is approximately 6" below the surface of the water when the auxiliary motor is operating. Once you have located the position of the bracket, use the bracket as template to mark 5 holes. Drill x5, 9/16" diameter holes in the transom. We recommend using a reinforcement plate (Model 4100REP) on the inside of the transom and stainless steel type 304 or 316 mounting hardware. (Mounting hardware is not supplied.) We recommend using 7/16" bolts with washers and lock nuts.

**4**

Attaching the Bracket

Determine correct length hardware for your installation. Using the appropriate size wrenches fasten the bracket to the transom. Torque the bolts to manufacturer's recommendations.

Always attach a chain or cable from the motor to the boat.

PRO TIP

Apply a small amount of never seize compound to the treads of stainless bolts. This will prevent galling and the seizing of the hardware.

Adventure Marine recommends having a certified marine parts installation company install our products on your boat. The instructions provided are a guideline. Every boat is different. We are not responsible for damage caused during the installation process. If you are unsure how to correctly install this bracket seek professional assistance.

Additional Support: Adventuremarine.ca

For FAQs, troubleshooting and downloadable PDF manuals

Adventure Marine Manufacturing (2017) Inc. All rights reserved